

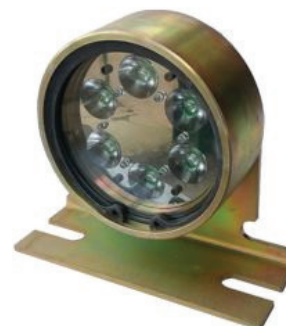


Specifications for 6 LED Train Light

Description and Application

Light designed for forward lightning on mine underground vehicles.

Applications include:
 Transporters, Utility Vehicles, Drill Rigs, LHD Scoops
 2 Colour Lights. Red and White



Specifications

Electrical Specifications

Nominal Input Voltage:	10VDC - 40VDC
Power Input	12Watts
Current @ 12VDC	1Amps
Current @ 24VDC	0.5Amps
Power Supply Efficiency	95% - 98%

Protection

Reverse Polarity	Yes
Overtoltage	40V Switch Off
* Transient Protection	1.5Ke
Thermal Overload Protection	Thermal shut down with Hysteresis at ambient temperature of 65deg

Operating conditions

Operating temperature (Ta):	-40°C to +50°C
IP Rating	IP68

Light Performance

Lumens	1200 lumnes
CRI Index	75
Light Source	6 x 5Watt Osram 6 x 5mm Red
Lux at 20m	25-35lux

Construction

Materials	Mild Steel Bright Zinc Plated 6mm Glass
Length, Height, Width	184mm, 165mm, 67mm
Weight	1.5Kg

Hazardous Gases

Contains Halides

Warrantee

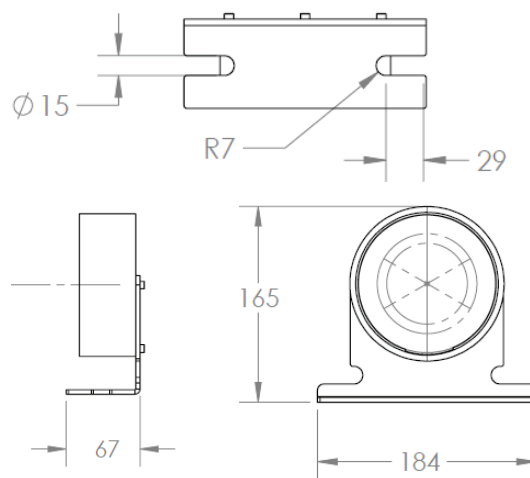
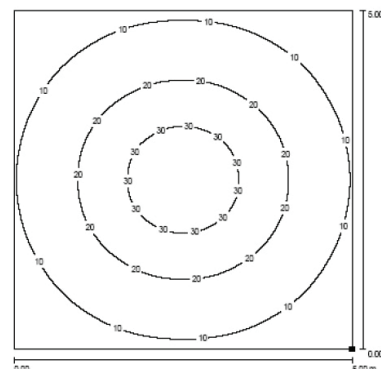
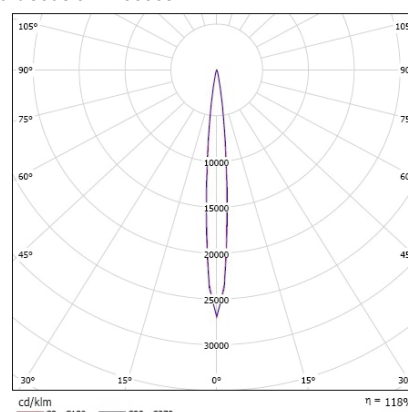
6 months Limited warrantee

Predicted Life Expectancy

@ 40deg ambient	35k hours
-----------------	-----------

Photometric Data

Part Code:0112-00003



*Transients that the light is protected against include Failed 24 Volt Regulator, Booster Start (12V systems), Load Dump, Inductive Load Switching, Alternator Field Decay (each engine turn-off), Ignition Pulse (battery disconnected), Mutual Coupling in wire harness. These faults can product voltages that range from -300VDC to +200VDC for up to 400ms. The protection mode of the light is 5us Switch out at 40V Transient



sales@telec.co.za
www.telec.co.za



+27 11 763 5718
+27 11 763 3296



100 Albertina Sisulu Road
Roodepoort, Johannesburg
South Africa 1724